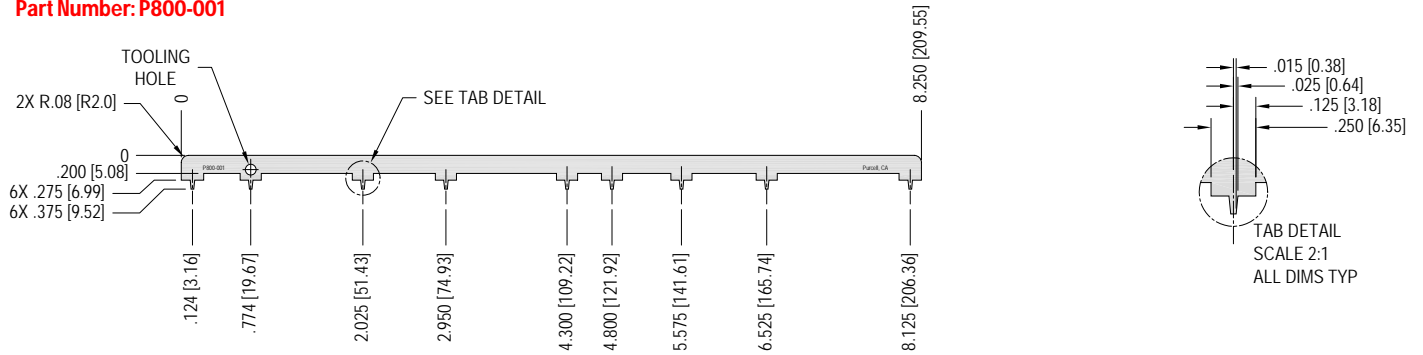
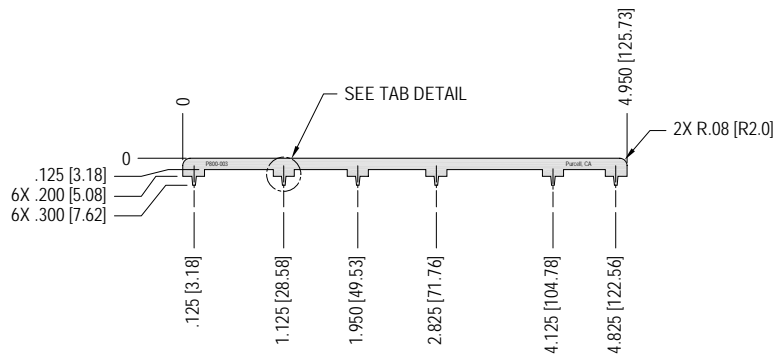


MATERIAL: .050" THICK CRS  
FINISH: SOLDERABLE TIN PLATING

**Part Number: P800-001**



**Part Number: P800-003**



**Part Number: P800-0008**

